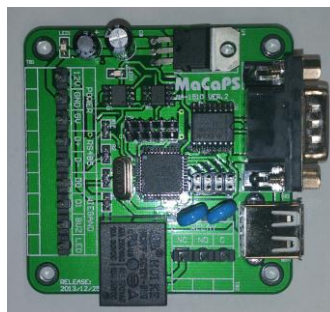


USB/RS232/RS485-to-Wiegand Converter (MA1510 VER.2)

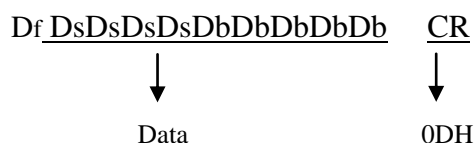
MaCaPS MA1510 is a USB/RS232/RS485-to-Wiegand uni-directional converter suitable to be used for Barcode scanner. The converter can automatically convert USB/RS232/RS485 input with 10 Byte ASCII format to 40-bit Wiegand.



1. Specifications:

1.1 USB/RS232 input Format

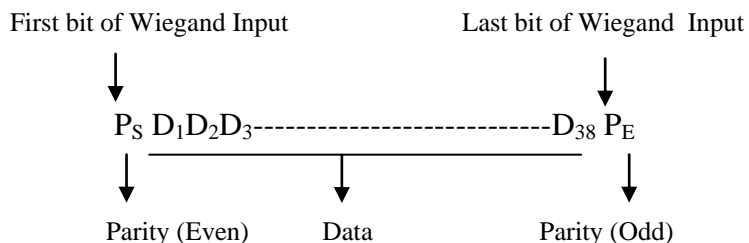
The format of the USB/RS232 is in the form of 10-byte ASCII (decimal string) as follows:



Df = fixed code (0 to 63)
 Ds = site code (0 to 65535)
 Db = badge code (0 to 65535)

1.2 Wiegand Output Format

The format of the Wiegand bit stream is shown as follows:

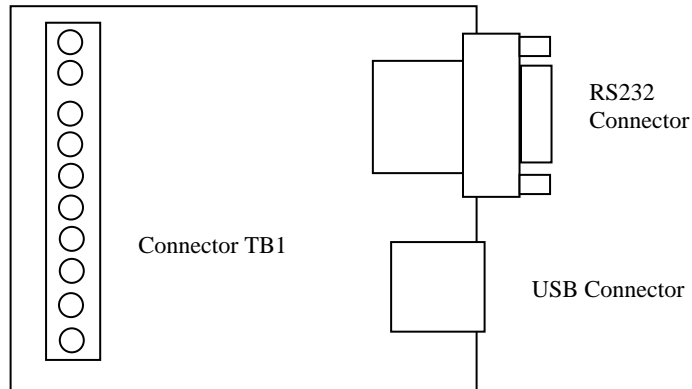


1.3 Communications:

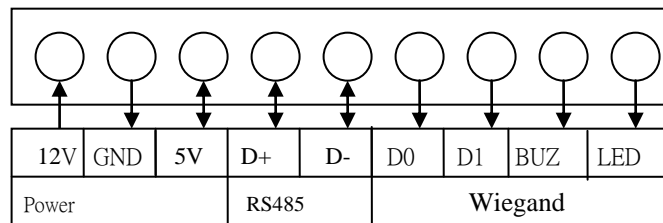
9,600 BPS ASYNC, 8 bits, 1 Stop, No Parity (RS232)

2. Pin Connectors:

The schematic of the MA1510 VER.2 is shown in the following figure:



2.2 Connector TB1



BUZ, LED : Reserved

D1: Wiegand Data 1 (Wiegand Out Port)

D0: Wiegand Data 0 (Wiegand Out Port)

GND: Ground

5V: 5V DC input/output [from USB/12V power]

12V: 12V DC input

D+: RS485 D+ (A) input/output

D-: RS485 D- (B) input/output

[Note: This device can also be used to output RS232/RS485 signal with USB Input or RS232/RS485 output with RS485/RS232 input]

